

## The mounting system of panels made of mortars reinforced with glass fibre

Architectural concrete panels have found use as façade and inner walls facings. The panels must be fixed to a stable, sturdy, and rigid surface. If such surface is not available, it should be reinforced with an OSB.

During the mounting, the panels may be machined with the use of tools suitable for concrete cutting.

Two mounting types are available: visible and invisible mounting.

### 1. System used for vented façades

It is based on aluminium substructure with a visible or invisible system. Both consist of a bearer - corbel or profile (L or T).

- a) visible
  - riveting (mounting regardless of climatic conditions)

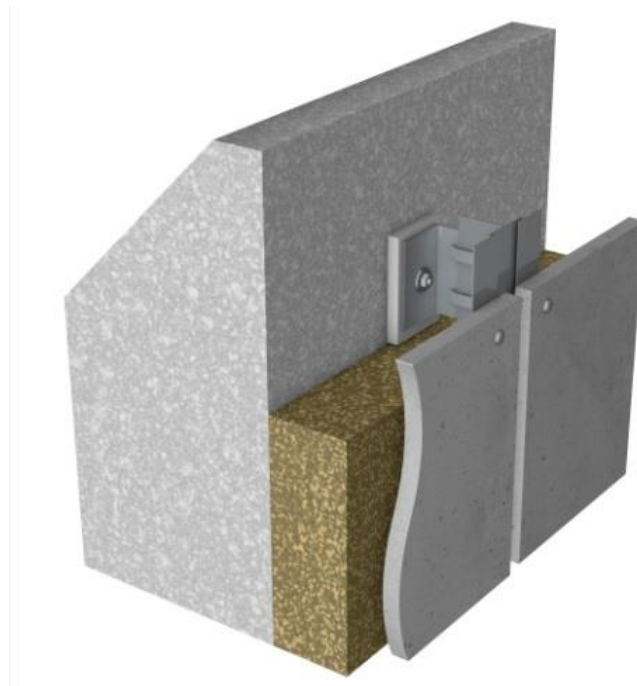


Figure 1. Invisible mounting system - riveting

b) invisible

- gluing (with polyurethane glue); additionally, adhesive tape is used - its role is to ensure temporary adhesiveness of the panel to profiles until the glue cures. Mounting possible only in convenient temperature and humidity

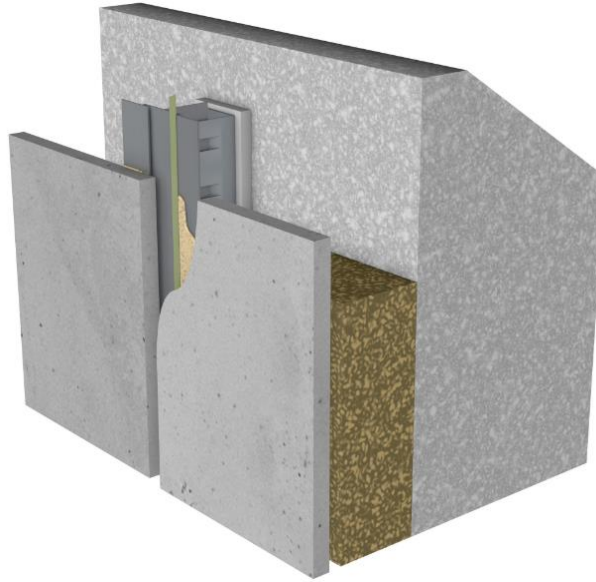


Figure 2. Invisible mounting system - gluing

- with the use of back-expanding sleeve (ensures high strength of connections immediately after mounting)

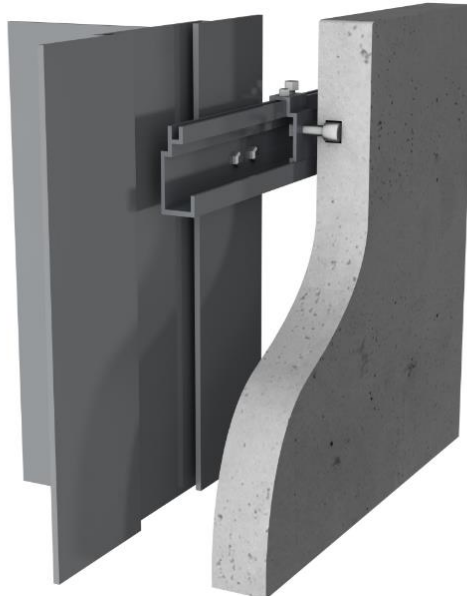


Figure 3. Invisible mounting system - with the use of a back-expanding sleeve

## 2. System used for inner decorative façades

a) visible or invisible depending on connection type:

- anchoring (for heavier panels, which cannot be held by glue; mechanic anchors are used)



Figure 4. Hexagonal anchor on a Ø 12 mm panel



Figure 5. Hexagonal anchor placed in a Ø 34 mm opening



Figure 6. Flat anchor placed in a Ø 34 mm opening covered with a stainless steel or concrete cap in various colours

- with aluminium substructure, as in the case of elevations.

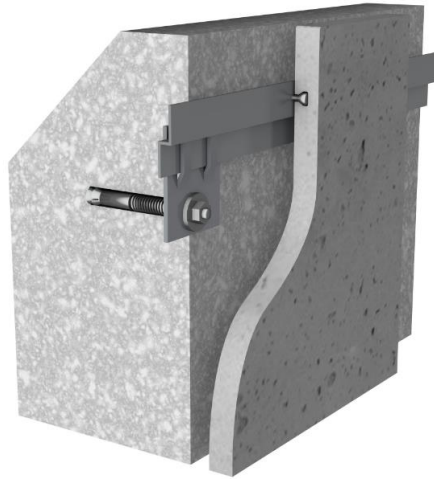


Figure 7. Invisible mounting system - with aluminium substructure, as in the case of elevations.

b) invisible:

- gluing (with polyurethane or dispersion glue for mounting panels on small surfaces)

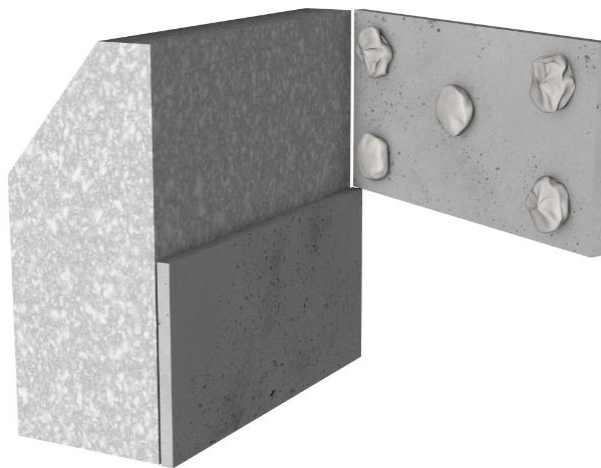


Figure 8. Gluing with polyurethane glue



Figure 9. Gluing with dispersion glue

- anchoring (with chemical anchors - a sleeve is embedded in the inner surface of the panel; then an appropriate rod is inserted in each of them, chemical anchor is put in the openings, and the panel is fixed)

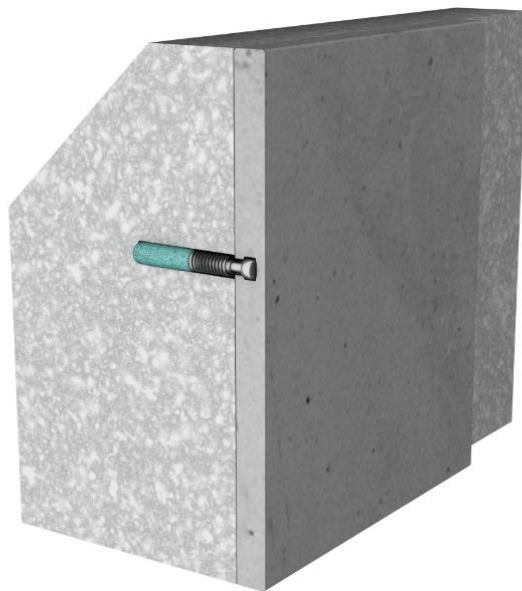


Figure 10. Invisible mounting system - with the use of chemical anchor